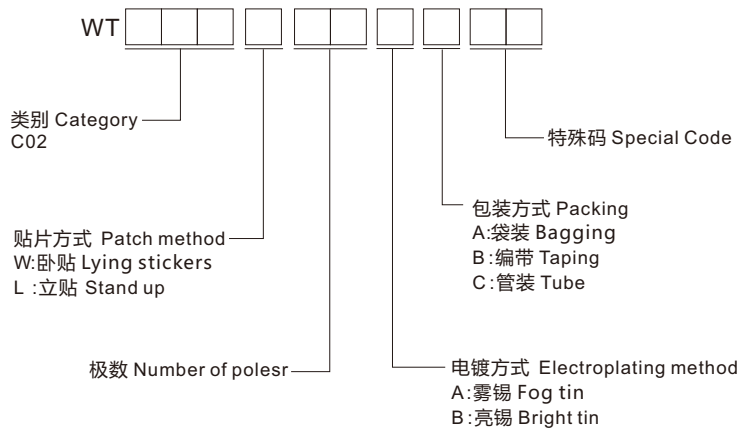
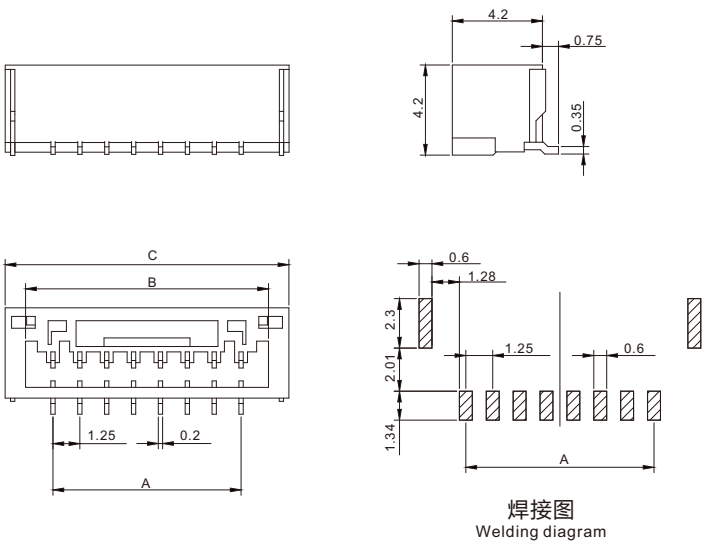


## ◆ 选型 Type Selection

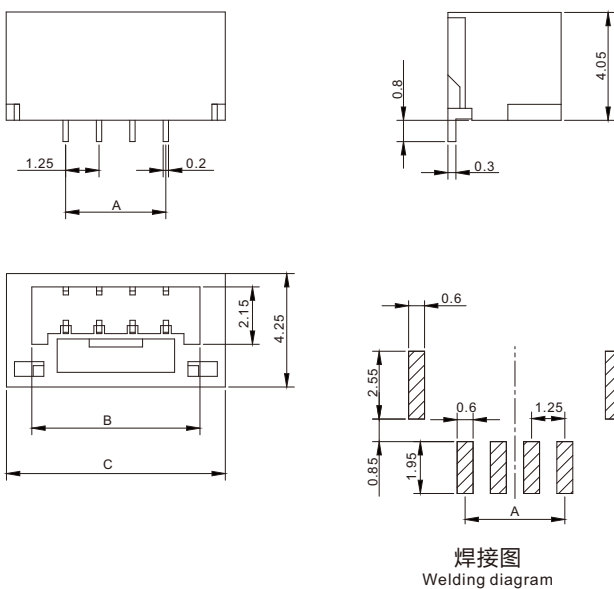


## ◆ 图表 Diagram

### ■ GH1.25立贴 Stand up



### ■ GH1.25卧贴 Lying stickers



## ◆ 规格 Specifications

- 极数 Number of poles: 2~18
- 工作温度 Working Temperature: -40°C~+85°C
- 额定电压 (最大) Voltage rating(max): 1250V,AC
- 接触电阻 Contact resistance:  $\leq 0.02\Omega$
- 绝缘电阻 Insulation resistance:  $\geq 100M\Omega$
- 目前评级 Current rating: 1.0A
- 耐压 Withstand voltage: 250VAC(rms)

## ◆ 材质 Material

- 端子 Terminal: 铜合金 Copper Alloy
- 外壳 Housing: LCP/6T

### ■ GH1.25立贴 Stand up

CKT	尺寸 Size(mm)		
	A	B	C
2P	1.25	3.80	5.70
3P	2.50	5.05	6.95
4P	3.75	6.30	8.20
5P	5.00	7.55	9.45
6P	6.25	8.80	10.70
7P	7.50	10.05	11.95
8P	8.75	11.30	13.20
	.....	.....	.....

### ■ GH1.25卧贴 Lying stickers

CKT	尺寸 Size(mm)		
	A	B	C
2P	1.25	3.80	5.70
3P	2.50	5.05	6.95
4P	3.75	6.30	8.20
5P	5.00	7.55	9.45
6P	6.25	8.80	10.70
7P	7.50	10.05	11.95
8P	8.75	11.30	13.20
	.....	.....	.....