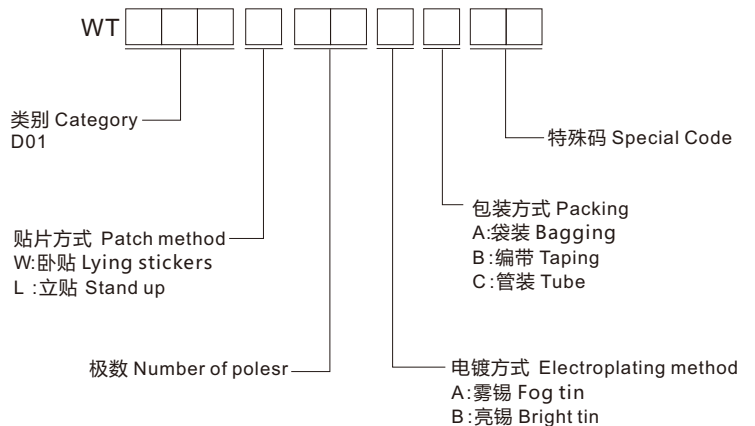
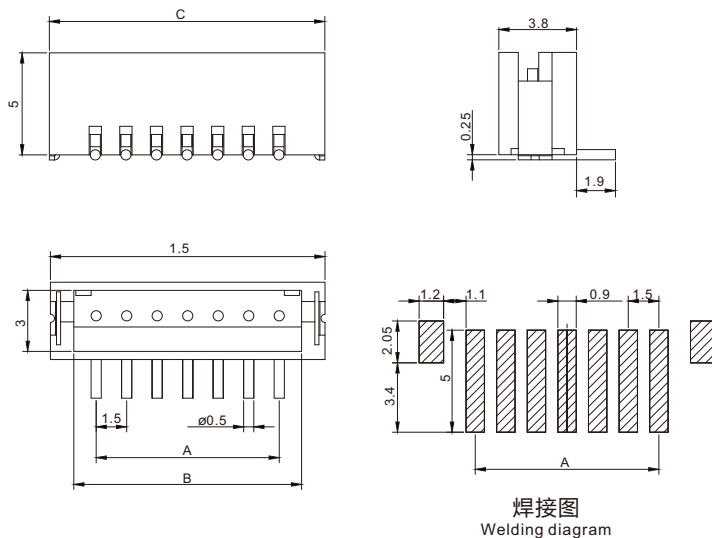


## ◆ 选型 Type Selection

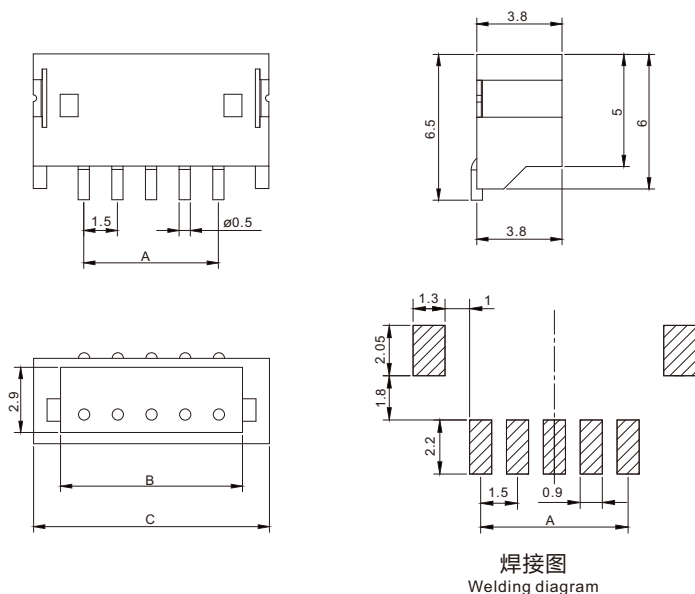


## ◆ 图表 Diagram

### ■ 1.5立贴 Stand up



### ■ 1.5卧贴 Lying stickers



## ◆ 规格 Specifications

- 极数 Number of poles: 2~20
- 工作温度 Working Temperature: -40°C~+85°C
- 额定电压 (最大) Voltage rating(max): 1250V,AC
- 接触电阻 Contact resistance:  $\leq 0.02\Omega$
- 绝缘电阻 Insulation resistance:  $\geq 100M\Omega$
- 目前评级 Current rating: 1.0A
- 耐压 Withstand voltage: 250VAC(rms)

## ◆ 材质 Material

- 端子 Terminal: 铜合金 Copper Alloy
- 外壳 Housing: LCP/6T

### ■ 1.5立贴 Stand up

CKT	尺寸 Size(mm)		
	A	B	C
2P	1.5	3.7	6.0
3P	3.0	5.2	7.5
4P	4.5	6.7	9.0
5P	6.0	8.2	10.5
6P	7.5	9.7	12.0
7P	9.0	11.2	13.5
8P	10.5	12.7	15.0
	.....	.....	.....

### ■ 1.5卧贴 Lying stickers

CKT	尺寸 Size(mm)		
	A	B	C
2P	1.5	3.6	6.0
3P	3.0	5.1	7.5
4P	4.5	6.6	9.0
5P	6.0	8.1	10.5
6P	7.5	9.6	12.0
7P	9.0	11.1	13.5
8P	10.5	12.6	15.0
	.....	.....	.....